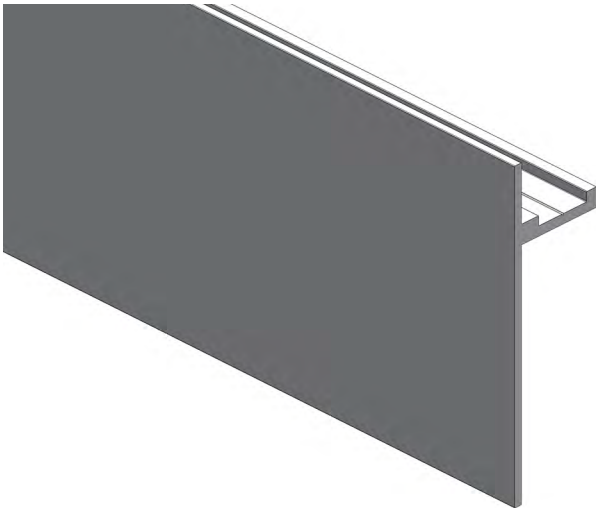


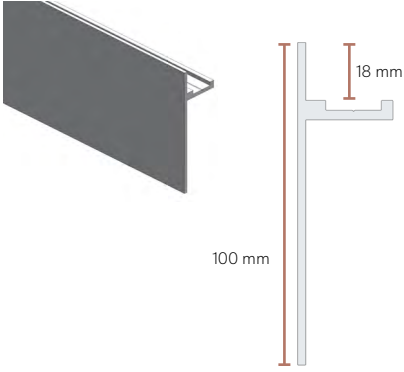
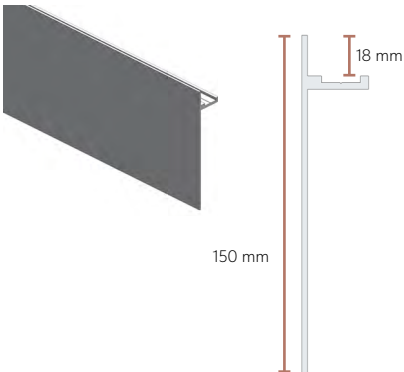
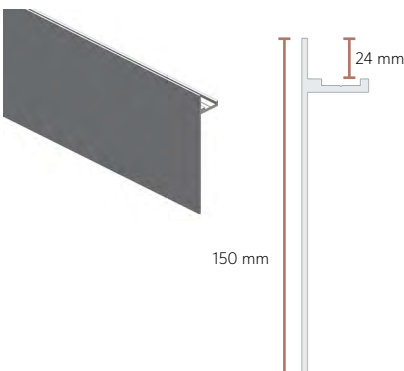
# ALUMINIUM SKIRTING BAND

Use: for finishing a Grad deck



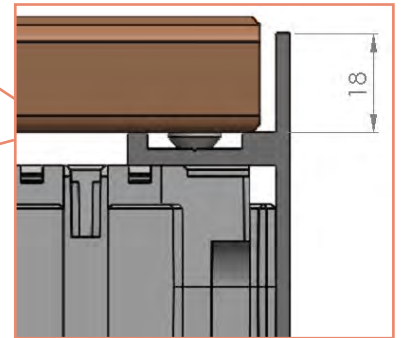
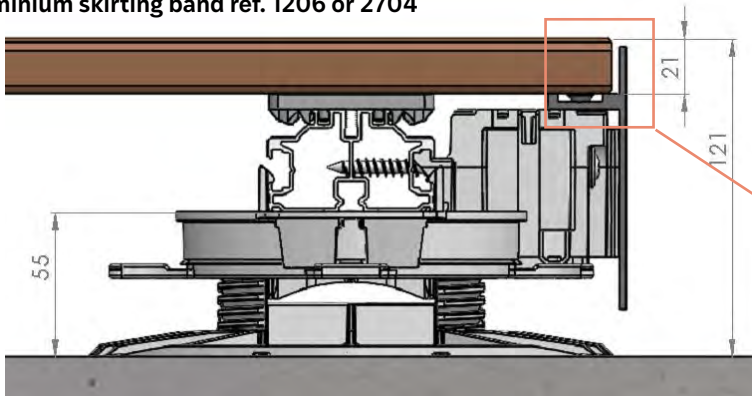
## TECHNICAL CHARACTERISTICS

<b>Material</b>	Aluminium EN AW-6060
<b>Skirting band weight (h = 100 mm)</b>	3,76 kg
<b>Skirting band weight (h = 150 mm)</b>	5,06 kg
<b>Colours</b>	RAL 7016 - grey anthracite, textured  Raw aluminium
<b>Thermal treatment</b>	T6
<b>Tensile strength (MPa)</b>	190
<b>Elastic limit (MPa)</b>	150
<b>Minimum elongation (%)</b>	6
<b>Modus of elasticity (MPa)</b>	70000
<b>Coefficient of linear expansion (10<sup>-6</sup>/K)</b>	24
<b>Melting temperature °C</b>	585-655
<b>Thermal transmittance (W/mK)</b>	160
<b>Paint quality</b>	Qualicoat

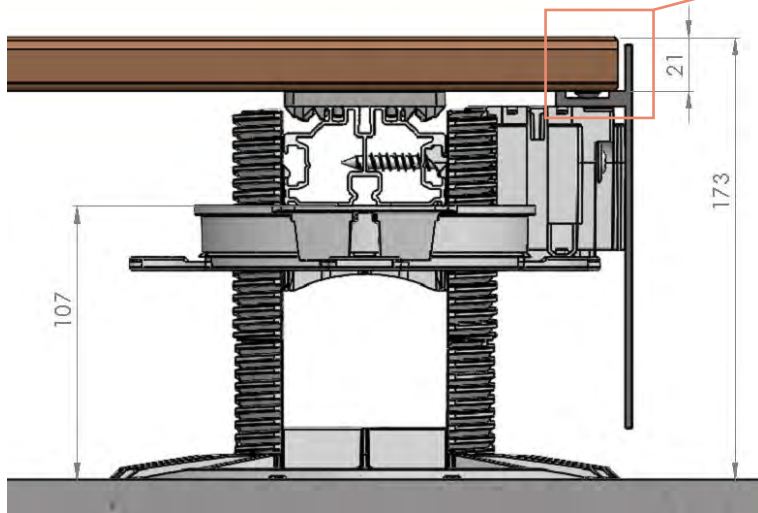
VISUAL	REFERENCE	DESCRIPTION	DECKING BOARD COMPATIBILITY	
 <p>100 mm</p> <p>18 mm</p>	1206	<b>Powder coated aluminium skirting band</b> Height: 100 mm for decking boards 20-23 mm thick. Length: 3750 mm. Set of 2	MOSO X-treme - 21 mm Kebony - 22 mm Accoya - 21 mm Thermo Ash - 21 mm Ceramic tiles - 18-20 mm	
	2704	<b>Raw aluminium skirting band</b> Height: 100 mm for decking boards 20-23 mm thick. Length 3750 mm. Set of 2		
 <p>150 mm</p> <p>18 mm</p>	1205	<b>Powder coated aluminium skirting band</b> Height: 150 mm for decking boards 20-23 mm thick. Length: 3750 mm. Set of 2		
	2705	<b>Raw aluminium skirting band</b> Height: 150 mm for decking boards 20-23 mm thick. Length 3750 mm. Set of 2		
 <p>150 mm</p> <p>24 mm</p>	2637	<b>Powder coated aluminium skirting band</b> Height: 150 mm for decking boards 24-28 mm thick. Length: 3750 mm. Set of 2		Thermo pine - 26 mm DEX - 28 mm Nekko - 24 mm

## ALUMINIUM SKIRTING BANDS WITH WOODEN DECKING BOARDS

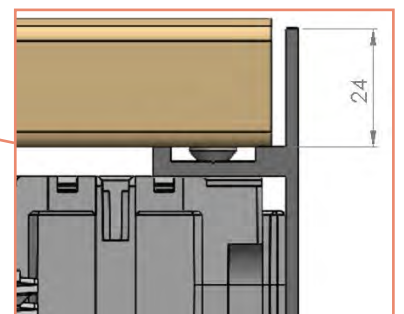
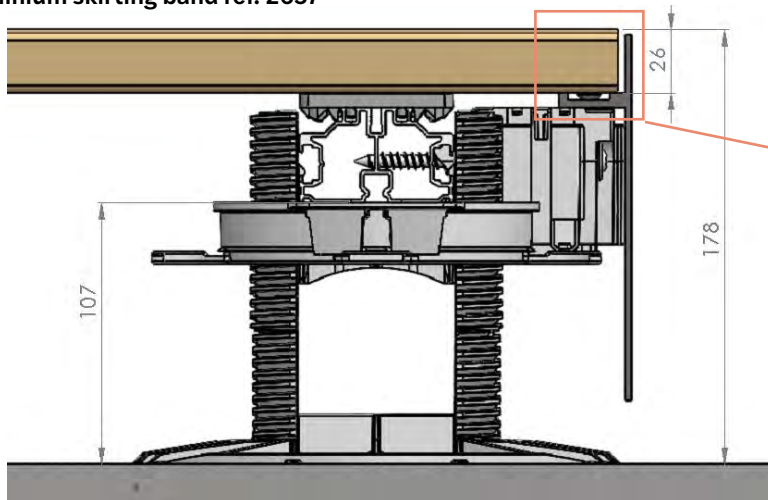
Aluminium skirting band ref. 1206 or 2704



Aluminium skirting band ref. 1205 or 2705

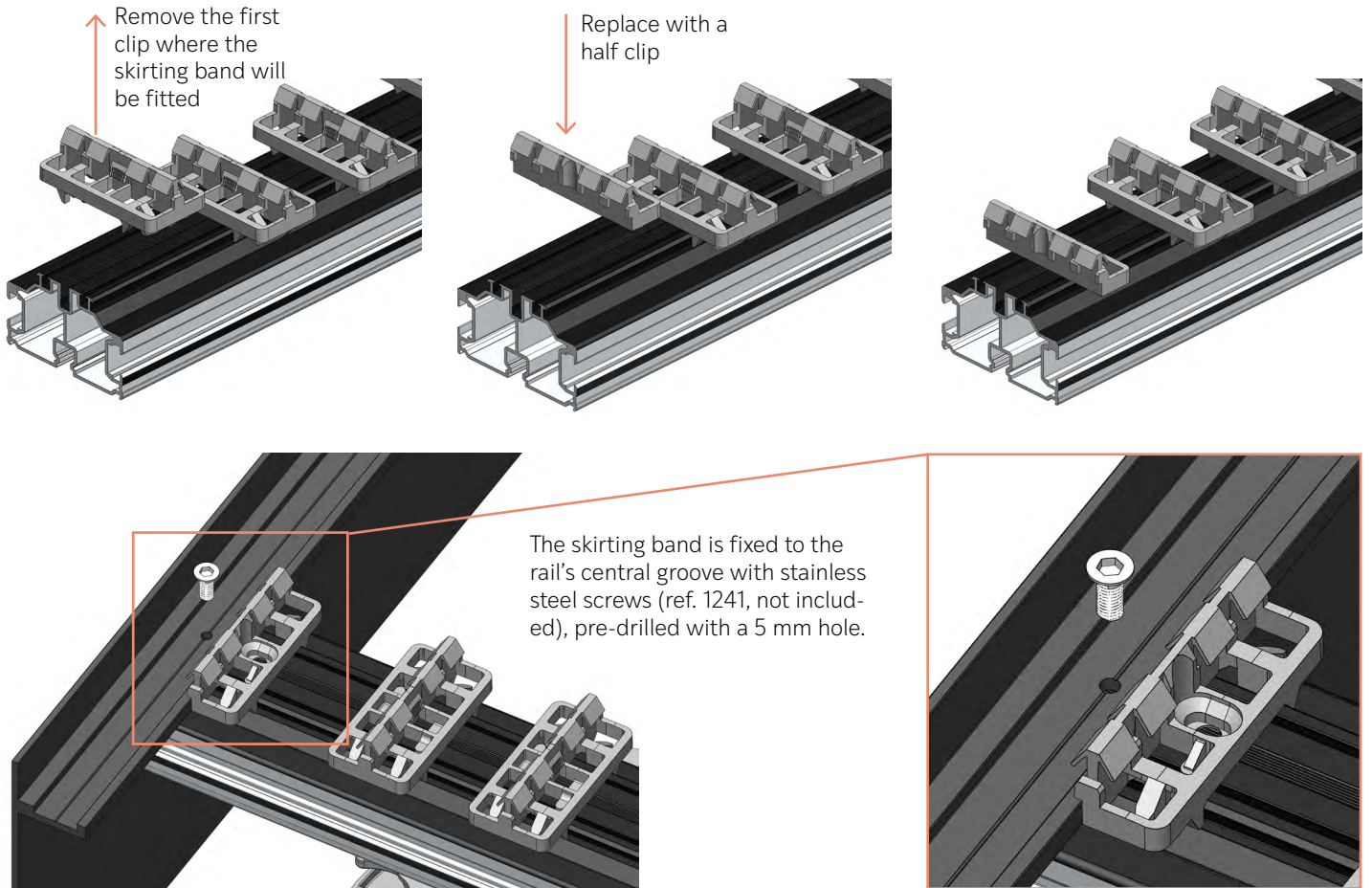


Aluminium skirting band ref. 2637



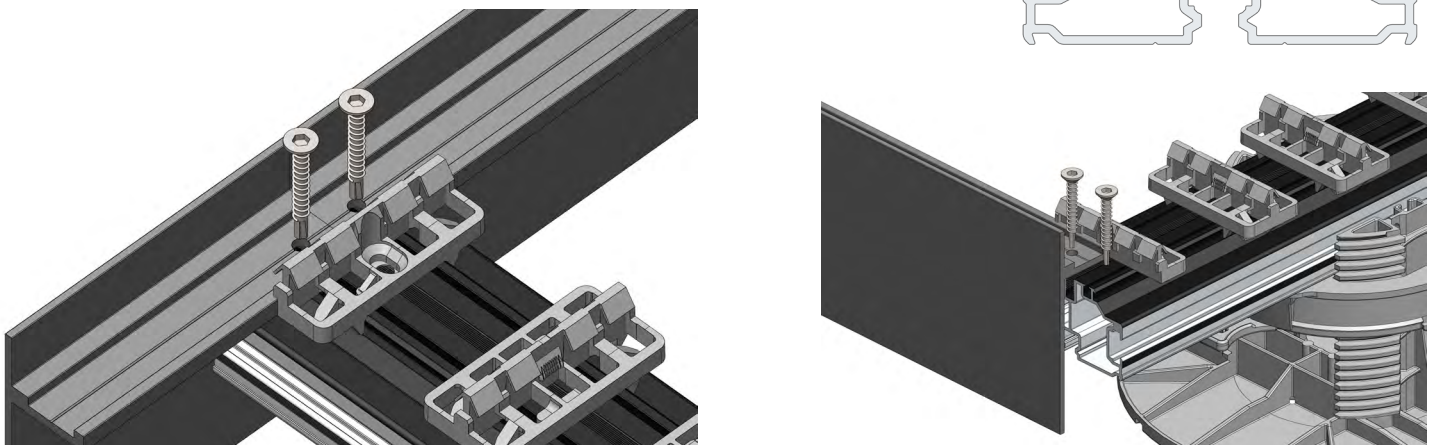
## FASTENING THE SKIRTING BAND TO THE ALUMINIUM GRAD RAIL

To avoid a collision between the clip and the aluminium skirting band, the clip at the end of the rail must be removed and replaced with a half clip.



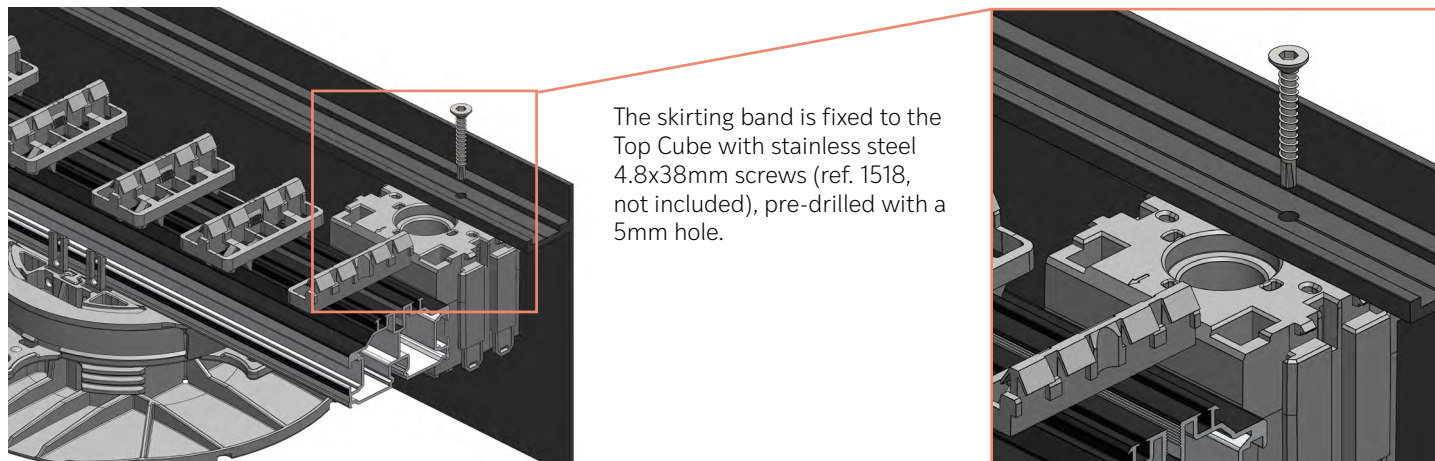
## JOINING TWO SKIRTING BANDS OVER THE GRAD RAIL

Two skirting bands must be joined to the Top Cube or a Grad rail. There are slots for screwing the skirting bands to the Grad rail: 2 grooves on either side of the central groove.



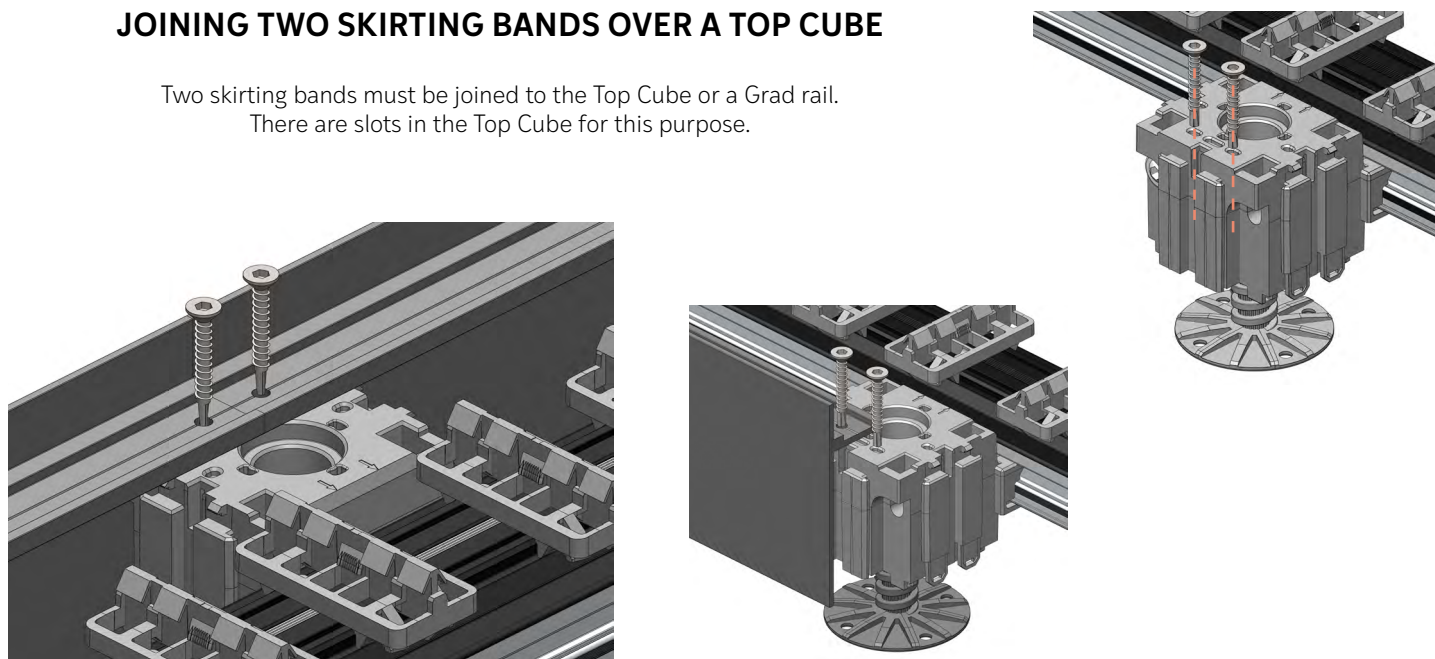


## FASTENING THE ALUMINIUM SKIRTING BAND TO TOP CUBE

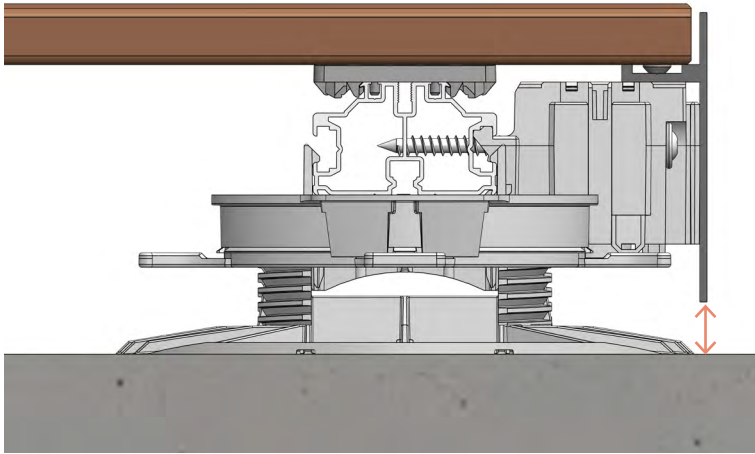


## JOINING TWO SKIRTING BANDS OVER A TOP CUBE

Two skirting bands must be joined to the Top Cube or a Grad rail. There are slots in the Top Cube for this purpose.



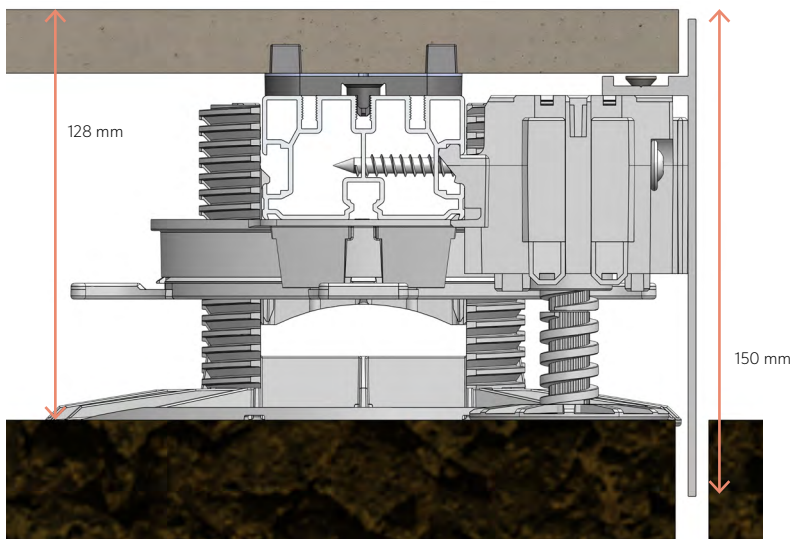
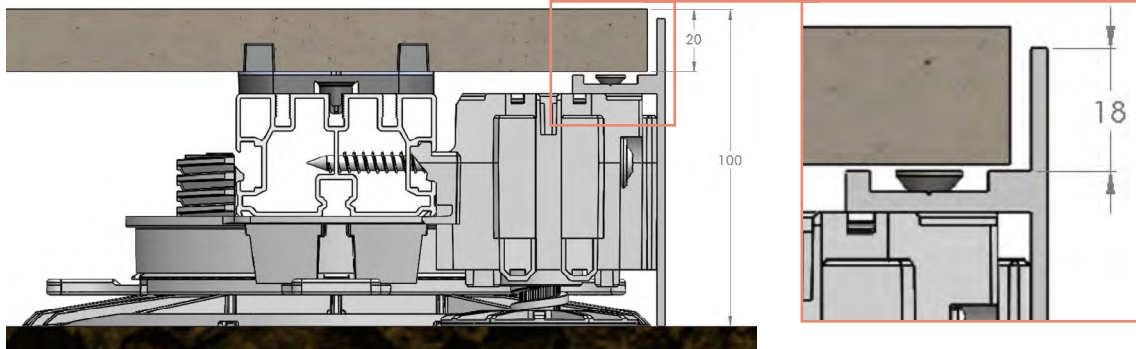
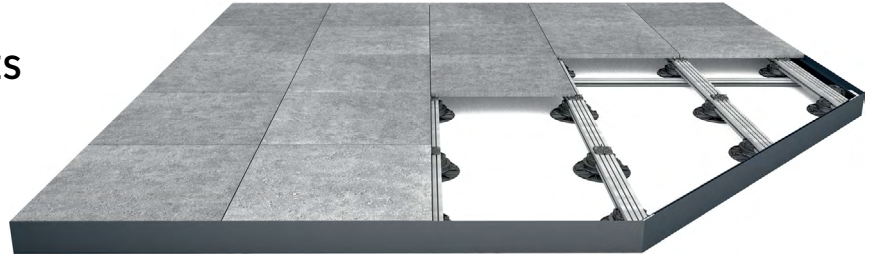
## AIR CIRCULATION UNDER THE DECK



To ensure proper air circulation under the deck, a gap of at least 20 mm may be required, depending on the project or the constraints of the wood used for the decking boards. Please refer to the decking board supplier's installation recommendations and requirements (for ventilation, landscaping, etc.).

## ALUMINIUM SKIRTING BAND WITH STONEWARE SLABS OR CERAMIC TILES

Aluminium skirting band ref. 1206 or 2704



## BURYING SKIRTING BANDS IN THE GROUND

For decks and patios on stabilized ground, it is possible to partially bury the aluminium skirting to adapt to the height of the ground.

